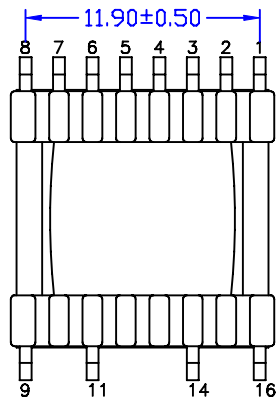
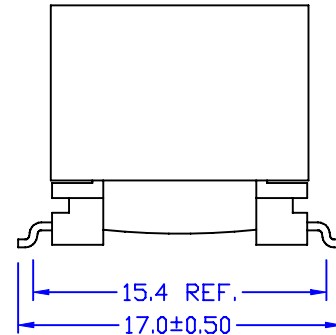
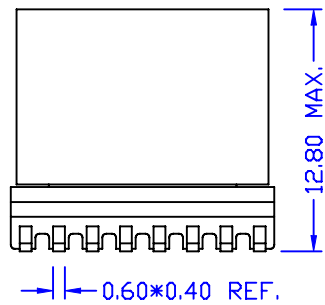


ELECTRICAL CHARACTERISTICS :

- DCR : 16-9<11-14 SHORT> = 1.5 OHM MAX.
1-4<2-3 SHORT> = 1.5 OHM MAX.
5-8<6-7 SHORT> = 0.8 OHM MAX.
- INDUCTANCE (@10KHZ, 0.1Vrms) : PIN 16-9 <11-14 SHORT> : = 100uH ±5%.
- LEAKAGE INDUCTANCE (@100KHZ, 0.1Vrms) :
PIN 16-9 <1-2-3-4,5-6-7-8,11-14 SHORT> = 1.8uH MAX.
PIN 8-5 <7-6,1-2-3-4,9-11-14-16 SHORT> = 0.8uH MAX.
PIN 1-4<2-3,5-6-7-8,9-11-14-16 SHORT> = 3.0uH MAX.
- INTERWINDING CAP. (@100KHZ, 0.1Vrms) :
PIN 5-16 <5-6-7-8,9-11-14-16 SHORT> = 60pF MAX.
PIN 5-1 <1-2-3-4,5-6-7-8 SHORT> = 40pF MAX.
PIN 16-1 <1-2-3-4,9-11-14-16 SHORT> = 60pF MAX.
- LONGITUDINAL BALANCE(@25KHZ) : 16-9 = 55dB MIN.
(@2.2MHZ) : 16-9 = 55dB MIN.
- T.H.D. (@25KHZ,1.3Vrms) = 80dB MIN.
- TURN RATIO :
(@100KHZ, 0.1Vrms) :
PIN 16-9 : 5-8<6-7,11-14 SHORT> = 2.5±2%.
PIN 16-9:1-4 <2-3,11-14SHORT> = 1±2%.
- HI-POT(@1875VAC, 0.5mA, 1S): PIN 1-16 <2-3,4-5,6-7,11-14 SHORT>
- RoHS COMPLIANCE.



						Atech [®]		TITLE TRANSFORMER	
						Atech Technology Co. Ltd. TEL:022794-6667 FAX:022794-8004		DWG. NO. ATS-841R	
REVISIONS						UNITS:		SAFETY	
						DATE		SHEET 1 OF 1	
						P/N:		DRAW	